

## For servicing your BB5000 Axial Feed Unit

Keeping preventative maintenance and emergency service parts on hand can ensure your projects are done on time and without interruption.

Several maintenance options are available to keep your Climax boring machine operating at peak performance. You can:

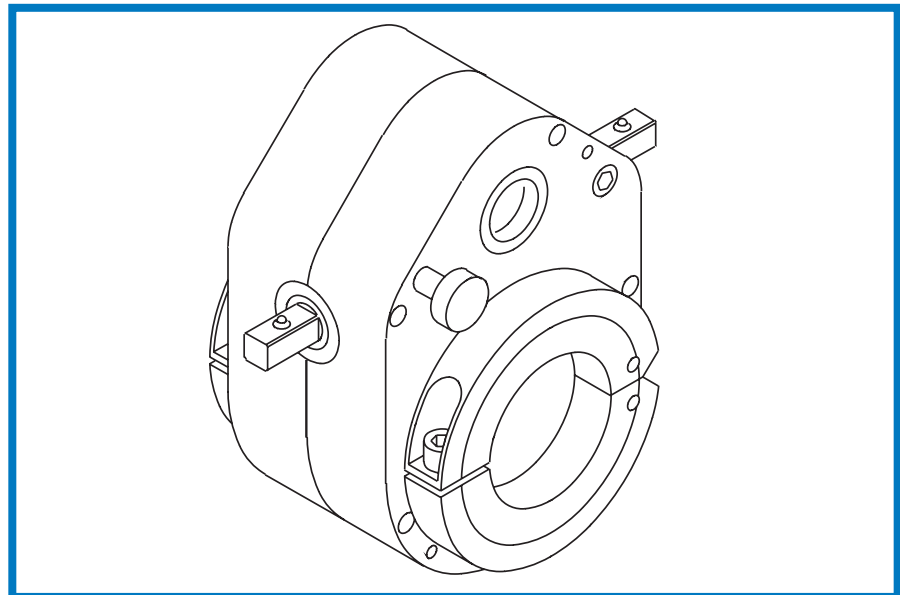
- 1) Buy a new feed box (28636),
- 2) Send your feed unit in to our first-rate service shop for overhaul, or
- 3) Buy the parts and service the tool yourself.

Climax offers in-field service parts kits for your BB5000 axial feed units. If you are comfortable enough with your ability to disassemble the box and repair the tool yourself, you can buy individual parts that you know need replacement, or you can buy one of two field service kits.

Our BASIC field service kit contains the basic parts that are most commonly needed to get your unit in top operating condition.

Our COMPLETE field service kit includes everything you need to fully overhaul your tool.

Refer to the parts lists and call Customer Service at 1-503-538-2185, or your nearest Climax Representative. We can help keep your tool running in top notch condition and get you back to making money.



### 38545 Complete Field Service Kit

2	Detent springs
4	Steel detent balls
2	Shear pins
2	Feed adjustment screws
2	Feed return detent screws
1	Tube LocTite® 609
1	Tube LocTite® Solvent
1	Tube UNOCAL Unolife® grease

#### PLUS:

2	Main bearings
4	Clutch bearings
2	Cone bearing seats
2	Cup bearings
4	Thrust washers
2	Thrust bearings
1	Brass feed nut/gear
2	Seals
2	Feed adjustment screw springs

38748 for use with 2nd generation box without auto stop.

### 38544 Basic Field Service Kit

2	Detent springs
4	Steel detent balls
2	Shear pins
2	Feed adjustment screws
2	Feed return detent screws
1	Tube LocTite® 609
1	Tube LocTite® Solvent
1	Tube UNOCAL Unolife® grease

38747 For use with 2nd generation box without auto stop.

# CLIMAX GLOBAL LOCATIONS



## Call Climax for:

### On-site Training

Need some refresher courses in setting up and operating your Climax machine tool?

### Special Projects

Climax has been solving complicated on-site machining and welding problems for our customers since 1964.

### Rentals

With seven locations in North America, two in Europe and two in Asia, you are never far away from a Climax portable machine tool.

Connect with us:  

### World Headquarters

2712 E. Second Street  
Newberg, Oregon 97132 USA  
Worldwide Telephone: 1.503.538.2185  
N. America Toll-Free: 1.800.333.8311  
Fax: 1.503.538.7600  
Email: [info@cpmt.com](mailto:info@cpmt.com)

### European Headquarters

Am Langen Graben 8  
52353 Düren, Germany  
Telephone: (+49) (0) 2421.9177.0  
Fax: (+49) (0) 2421.9177.29  
Email: [info@cpmt.de](mailto:info@cpmt.de)

Copyright © 2012 Climax Portable Machining & Welding Systems. All Rights Reserved. Climax has taken reasonable measures to ensure the accuracy of the information contained in this document. However, Climax makes no warranties or representations with respect to the information contained herein; and Climax shall not be held liable for damages resulting from any errors or omissions herein, or from the use of the information contained in this document.

 **CLIMAX**  
Portable Machining & Welding Systems