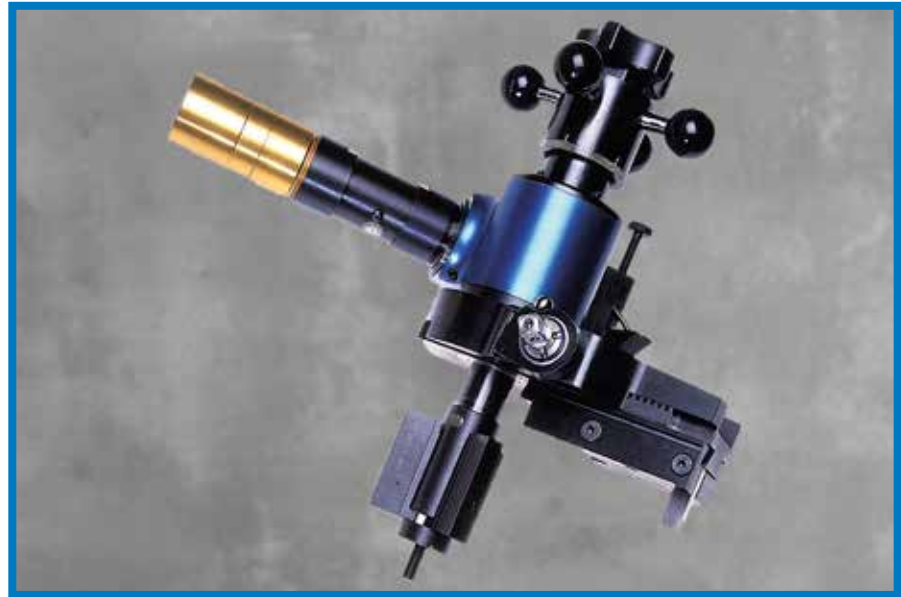


Compact, lightweight, and easy to set up.

Compact and Versatile

- Low profile machine is one of the most compact on the market today.
- Lightweight, weighing only 58 lbs (26.3 kg).
- Modular design and versatile setup allows the chuck and main body to be set up separately before placement in the bore.
- Machine raised and flat flanges.
- Bi-directional feed.
- Feed is reversible and infinitely variable for a surface finish of 63 – 500 RMS.
- Optional beveling head connects with “Quick-Lock” system, making changeover quick & easy.



Powerful, Quality Components

- 1.45 Hp (1.08 kW) motor allows typical material removal rate of 1 cubic inch (16.4 cm³) per minute.
- Pneumatic motor comes complete with filter, lubricator, and flow control.
- Features rugged main body, heavy-duty bearings, sealed lubrication, and rigid mounting system.

Cost Effective

- Cuts costs in four ways:
 - Reduces downtime.
 - Eliminates off-site machining costs
 - Eliminates leak sealing procedures.
 - Reduces stock of replacement flanges.
- Recoup the cost of a Climax Flange Facer in the first few flange facing jobs.

SPECIFICATIONS

| | US | Metric |
|---|----------------------------|-----------------------------------|
| Flange Facing Diameter | 3.0 - 19.0 inches | 88.9 - 482.6 mm |
| Beveling Diameter (with optional beveling head) | 3.0 - 12.75 inches | 76.2 - 323.9 mm |
| Pipe Facing Diameter (with optional beveling head) | 3.0 - 12.75 inches | 76.2 - 177.8 mm |
| ID Mounting Diameter | 3.0 - 12.5 inches | 88.9 - 317.5 mm |
| Feed rate (reversible, variable) | 0.002 to 0.040 inches/rev. | 0 to 1.016 mm/rev. |
| Power, Pneumatic | 1.45 Hp | 1.08 kW |
| Power Requirement | 48 scfm, 90 psi | 1.36 m ³ /min, 629 kPa |
| Operating Weight | | |
| With 19 inch (482.6 mm) facing head | 66 lbs | 29.9 kg |
| With 12 inch (304.8 mm) beveling head | 60 lbs | 27.2 kg |
| Shipping Weight | 250 lbs | 113.4 kg |
| Shipping Dimensions (2 containers) | 33 x 21 x 11 inches | 838 x 533 x 279 mm |

Tool Configurations

Configure your FF4000 in 2 easy steps.

To configure your FF4000 Flange Facer:

- 1 Select a Base Package
- 2 Select a Facing Head

To configure the flange facer you require, simply select the option you need in each step, then contact your Climax representative.

1 Base Package

Main machine with 1.45 Hp (1.08 kW) 49593
pneumatic motor with air conditioning unit,
tooling, chuck, and chuck block set. Unit
comes packaged in a durable molded container.

2 Facing Head

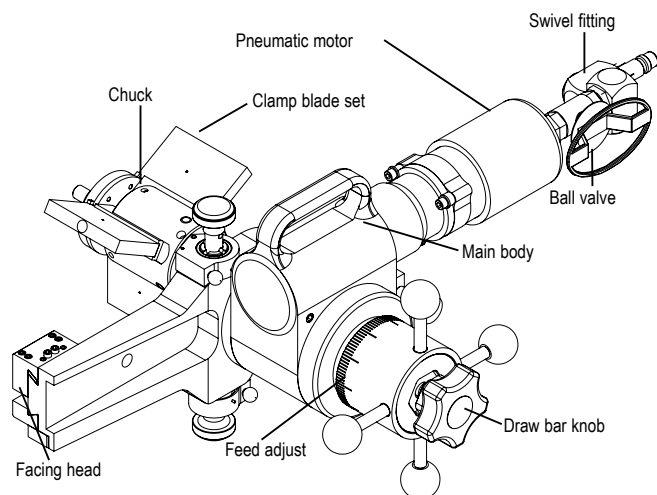
12 inch (304.8 mm) facing head 35222
19 inch (482.6 mm) facing head 34936
7 inch (177.8 mm) beveling head 34980
12.75 inch (323.9 mm) beveling head 35439

Optional Facing/Beveling Bits:

Facing bit 33141
Beveling bit 37.5 degrees 33136
Roughing tool bit 31867
Finishing tool bit 31858
5 degree chamfer tool bit 33315

Optional Facing/Beveling Heads:

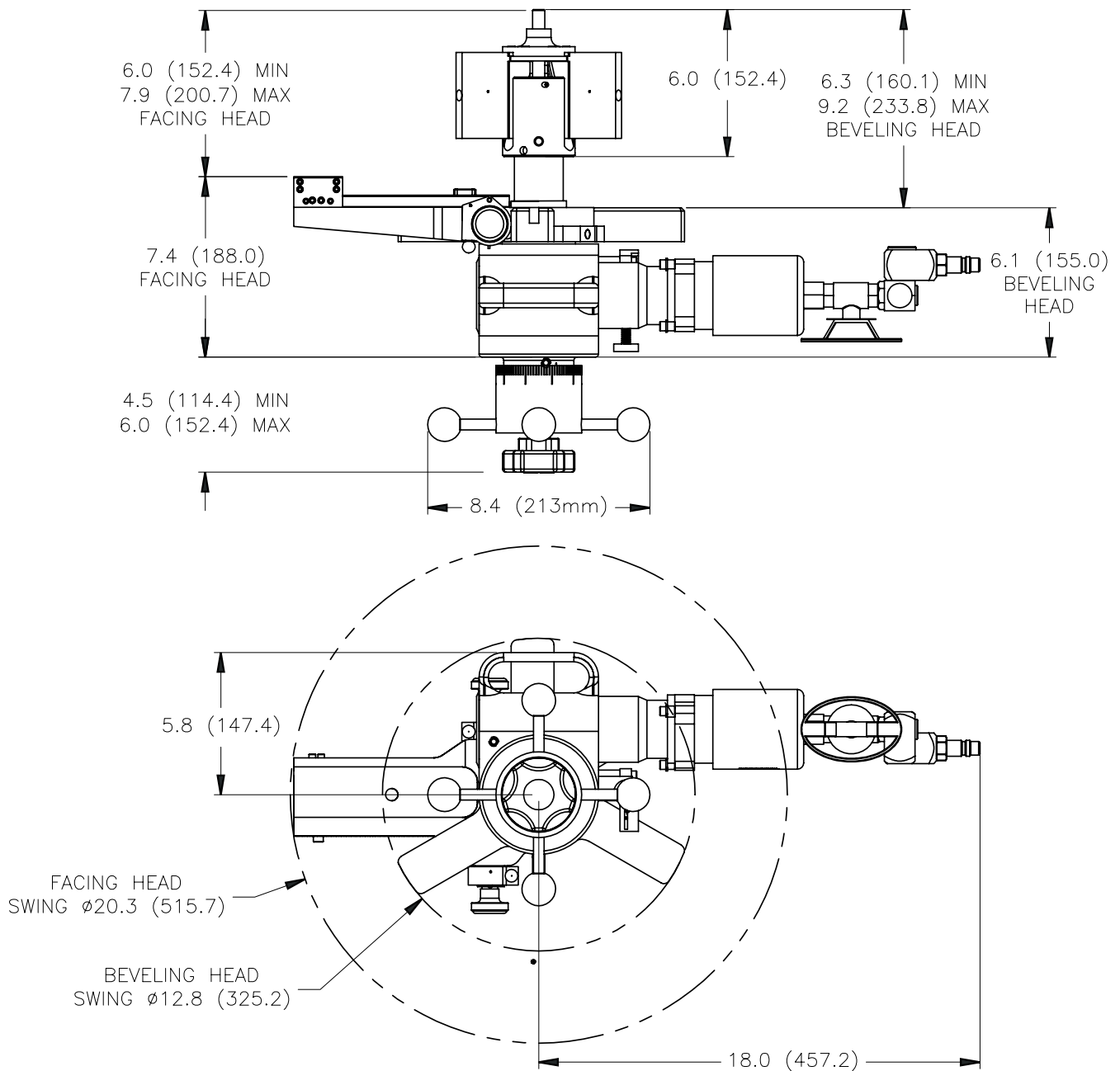
Beveling head 7 inches (177.8 mm) 34980
Beveling head 12.75 inches (323.9 mm) 35439
Facing head, 3 - 12 inch (76.2 -
304.8 mm) diameter 35222
Facing head, 3 - 19 inch (76.2 -
482.6 mm) diameter 34936



All dimensions should be considered reference. Contact your Climax Representative for precision dimensions. Specifications are subject to change without notice. There are no systems or components on this machine that are capable of producing hazardous EMC, UV or other radiation hazards. The machine does not use lasers nor does it create hazardous materials such as gasses or dust.

OPERATIONAL DIMENSIONS

Dimensions in inch (mm)



Note: Facing and Beveling heads shown for dimensional reference only.
They can not be mounted simultaneously.

SETUP AND OPERATION

A Fast Five-Step Process

Setup of the FF4000 is quick and easy. The modular design and versatile setup options allows the chuck and main body to be set up separately. An experienced operator can set up the machine in 10 minutes or less.

- 1** Choose from facing or beveling heads.
Place tool bit in tool slot and tighten set screw.



- 2** Align the 3 pin "Quick-Lock" system and tap with plastic mallet to seat.



- 3** Select jaw set according to the ID diameter that the machine will chuck into.



- 4** Place the machine in the bore. Hold to good start height, and tighten hand nut to snug. Push down on hand nut. While holding nut down, turn rod handle to tighten chuck.



- 5** Set tool to desired cutting depth, and begin machining.



Training at the Global Learning Center

Climax has been teaching the fundamentals and fine points of portable machine tool operation for practically as long as we've been inventing and building the tools.

At the Climax Global Learning Center situated in our corporate headquarters near Portland, Oregon, we provide training for machine tool operators on portable machine tool safety, and machine setup and operation. Trainees also receive technical tips and tools to improve operational efficiencies, with the vast majority of every program devoted to hands-on activities and skill development.



The Climax instructional team includes specialists in shipbuilding, power generation, civil engineering, bridge re-building, petrochemical and other industries.

Whether it's a regularly scheduled course at the Global Learning Center, or custom curriculum conducted at your facility, your machinists will benefit from courses developed by some of the most respected authorities in the business.

Call us today to register for a regularly scheduled class, or talk to us about how we can customize a training program for your specialized application.



CLIMAX GLOBAL LOCATIONS



Call Climax for:

On-site Training




Need some refresher courses in setting up and operating your CLIMAX machine tool?

Special Projects

CLIMAX has been solving complicated on-site machining and welding problems for our customers since 1964.

Rentals

With 16 worldwide rental depot locations, you are never far away from a CLIMAX tool.

Connect with us:   

World Headquarters

2712 E. Second Street
Newberg, Oregon 97132 USA
Worldwide Telephone: 1.503.538.2185
N. America Toll-Free: 1.800.333.8311
Fax: 1.503.538.7600
Email: info@cpmt.com

European Headquarters

Am Langen Graben 8
52353 Düren, Germany
Telephone: (+49) (0) 2421.9177.0
Fax: (+49) (0) 2421.9177.29
Email: info@cpmt.de