

For the BB5000 Portable Boring Machine

Extend the versatility of your Climax BB5000 Portable Boring Machine by adding our combination Facing Head & Grooving Tool. This popular accessory is designed for easy set-up and operation, and a high level of accuracy and precision. The Facing & Grooving Tool is perfect for boring procedures that also require machining of end flanges which are truly flat and perpendicular to the central bore axis, or which may call for machining precision grooves to accommodate O-rings, snap-rings or special lubrication processes.

Easy, flexible, setup and operation:

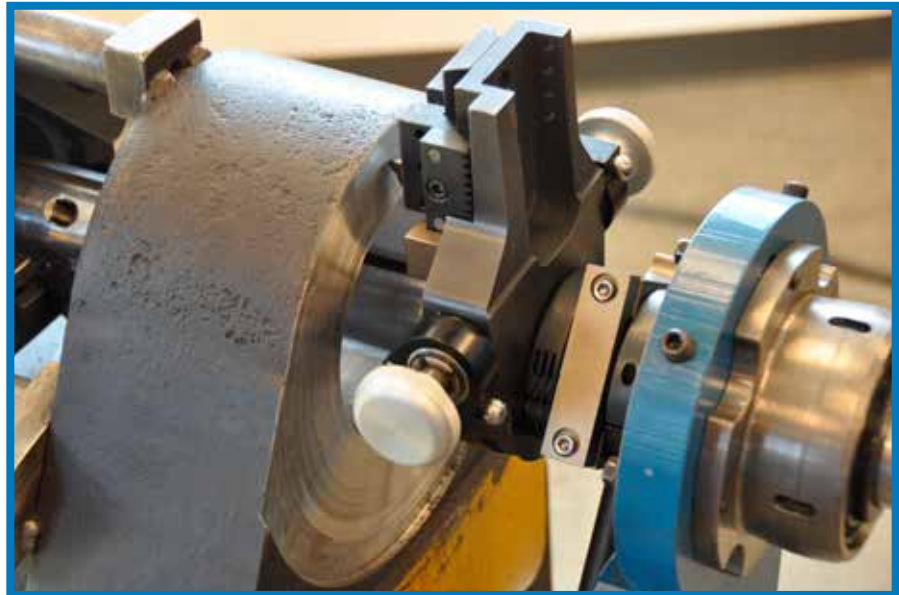
The Facing & Grooving Tool attaches directly to the Climax BB5000 Boring Machine, and the assembly clamps securely to any location along the boring bar for quick and easy setup. You can mount this tool to face either the front or rear side of the work piece.

One setup for boring, facing and grooving:

The Facing & Grooving Tool saves time and provides an added assurance of accuracy and alignment. By utilizing a single machine mounting setup for all machining operations, you'll be assured that your facing and grooving procedures are square and perfectly concentric to your central bore. Plus inboard and outboard end faces can be cut truly parallel to one another utilizing just one boring machine setup.

Change feed rates on the fly:

The Facing & Grooving Tool has been designed to allow varying feed rates without having to stop facing head rotation, to get the job done quickly. Feed rates can be



varied from 0 - 0.05 inches (0 - 1.3 mm) per revolution. It is available in a standard model and in a specially designed compact version for use where operating space is limited.

Standard Model 36954
19 inches (483 mm)
Facing: \varnothing 2.5 - 19 inches (64 - 483 mm)
Grooving: \varnothing 4 - 19 inches (102 - 483 mm)

Compact Model 36936
12 inches (305 mm)
Facing: \varnothing 2.5 - 12 inches (64 - 305 mm)
Grooving: \varnothing 4 - 12 inches (102 - 305 mm)

Tool Kits

Facing **36370**
Grooving **35950**
15° for free cutting
0° for more difficult material

Technical Information:

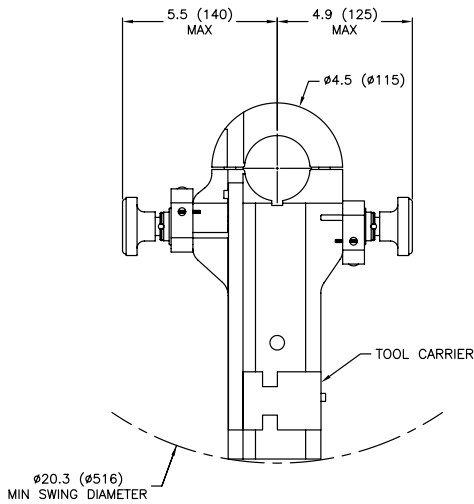
- Tool mounts anywhere on the bar.
- Includes facing and grooving tool bits and dial indicator (uses standard 0.5 inch or 12 mm square tool bits).
- Shipping weight: 45 lbs. (20.4 Kg)
- Container dimensions: (L, W, H) 20x24x9 inches (508x610x229 mm)



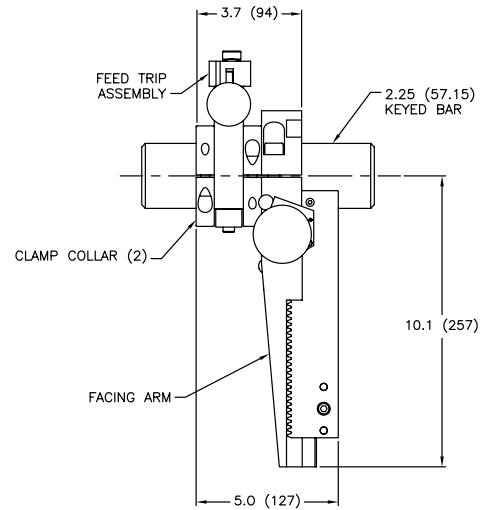
OPERATIONAL DIMENSIONS, ORDERING INFO

Dimensions in inch (mm)

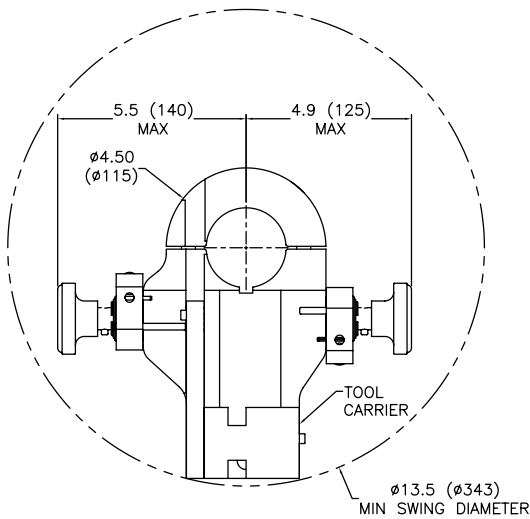
Front View, Standard Model



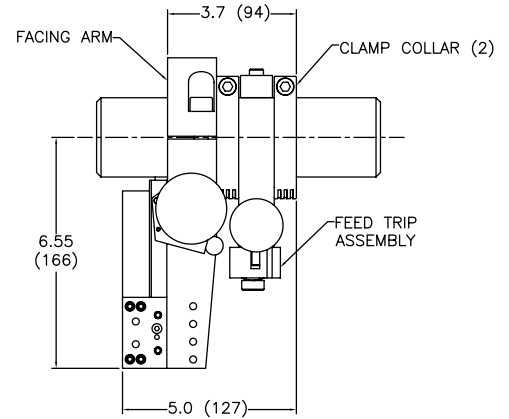
(Front View, Standard Model)



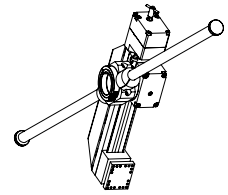
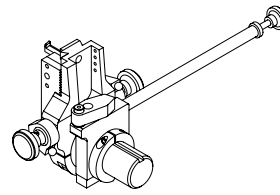
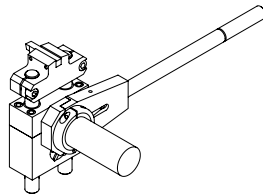
Front View, Compact Model



Front View, Compact Model



Ordering Information



Climax PN	31412	30051	30044	35858	36936	36954	45040	60301
Item Name	Adjustable Range Facing Heads			Facing & Grooving Heads			Heavy Duty Facing Head	
Bar Dia.	1-¼ (31.8)	2.0 (50.8)	2-¼ (57.2)	1-¾ (44.5)	2-¼ (57.2)	2-¼ (57.2)	2-¼ (57.2)	2.0 (50.8 mm)
Swing Dia.	6.6 - 9.4 (167.6 - 238.8)	9.1 - 22.2 (231.1 - 563.9)	10.0 - 18.6 (254 - 472.4)	13.5 (342.9)	13.5 (342.9)	20.3 (515.6)	20.1 - 25.3 (510.5 - 642.6)	
Facing Dia.	2.1 - 8.8 (53.3 - 223.5)	2.5 - 18 (63.5 - 457.2)	2.5 - 18 (63.5 - 457.2)	2.5 - 12 (63.5 - 304.8)	2.5 - 12 (63.5 - 304.8)	2.5 - 19.0 (63.5 - 482)	2.25 - 24.0 (57.2 - 609.6)	
Grooving Dia.	n/a	n/a	n/a	3.5 - 12 (88.9 - 304.8)	4.0 - 12.0 (101.6 - 304.8)	4.0 - 19.0 (101.6 - 482.6)	3.3 - 24.0 (83.8 - 609.6)	

Training at the Global Learning Center

Climax has been teaching the fundamentals and fine points of portable machine tool operation for practically as long as we've been inventing and building the tools.\

At the Climax Global Learning Center situated in our corporate headquarters near Portland, Oregon, we provide training for machine tool operators on portable machine tool safety, and machine setup and operation. Trainees also receive technical tips and tools to improve operational efficiencies, with the vast majority of every program devoted to hands-on activities and skill development.

The Climax instructional team includes specialists in shipbuilding, power generation, civil engineering, bridge re-building, petrochemical and other industries.



Whether it's a regularly scheduled course at the Global Learning Center, or custom curriculum conducted at your facility, your machinists will benefit from courses developed by some of the most respected authorities in the business.

Call us today to register for a regularly scheduled class, or talk to us about how we can customize a training program for your specialized application.



CLIMAX GLOBAL LOCATIONS



Call Climax for:

On-site Training

Need some refresher courses in setting up and operating your Climax machine tool?

Special Projects

Climax has been solving complicated on-site machining and welding problems for our customers since 1964.

Rentals

With 16 worldwide rental depot locations, you are never far away from a Climax portable machine tool.

Connect with us:    

World Headquarters

2712 E. Second Street
Newberg, Oregon 97132 USA
Worldwide Telephone: 1.503.538.2185
N. America Toll-Free: 1.800.333.8311
Fax: 1.503.538.7600
Email: info@cpmt.com

European Headquarters

Am Langen Graben 8
52353 Düren, Germany
Telephone: (+49) (0) 2421.9177.0
Fax: (+49) (0) 2421.9177.29
Email: info@cpmt.de