

# BB5000 Adjustable Range Facing Head Accessory

## FEATURES ■ TECHNICAL DATA

### For the BB5000 Portable Boring Machine

#### Broad facing diameter range

Facing range is 2.5 - 18 inches (63.5 - 457.2 mm).

#### Easy, flexible setup and operation

- The adjustable facing head will face in either direction.
- Switch from boring to facing in a matter of minutes.
- Quickly mount the facing head anywhere on the boring bar while the bar is still mounted in the bore; saves time and helps get your job done quickly.

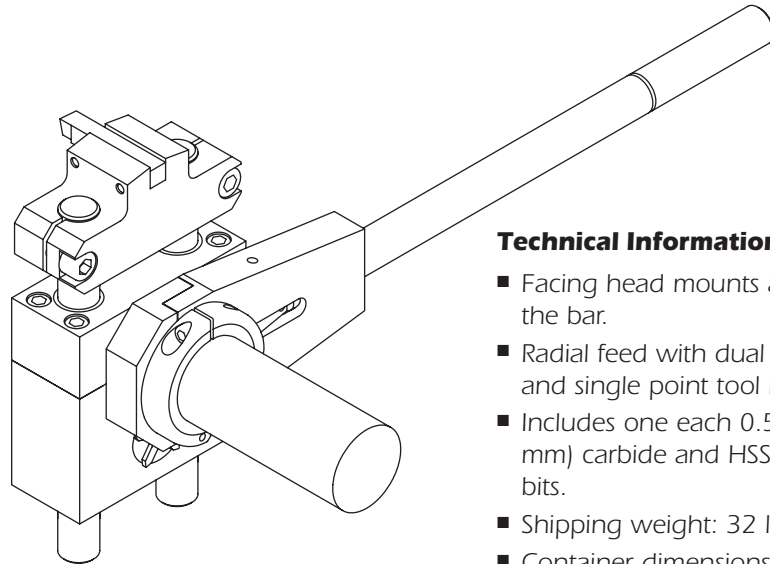
#### Useable in tight, restricted spaces

- Unique design allows you to perform facing operations in tight restricted spaces.
- Minimum swing diameter using the 9 inch (228.6 mm) lead screw is 10 inches (254 mm).
- Shorten the lead screw to reduce the minimum swing diameter to 9 inches (228.6 mm).
- System includes a set of 9 inch (228.6 mm) and 12 inch (304.8 mm) lead screws.

(See diagrams on reverse side for minimum and maximum swing specifications.)

#### Features automatic radial feed and instant reverse

- Automatic radial feed is provided by a trip-activated feed mechanism that advances 0.01 inches (0.25 mm) per revolution.
- Feed direction can be safely stopped or reversed instantly while the unit is operating, without reaching into the rotating equipment.



#### Technical Information:

- Facing head mounts anywhere on the bar.
- Radial feed with dual lead screws and single point tool holder.
- Includes one each 0.5 inch (12.7 mm) carbide and HSS square tool bits.
- Shipping weight: 32 lbs. (15 Kg)
- Container dimensions: (L, W, H) 20 x 10 x 11 inches (508 x 254 x 279.4 mm)

Ask us about the Climax Adjustable Facing and Grooving Head accessory to add even more capability to your BB5000 Portable Boring Machine



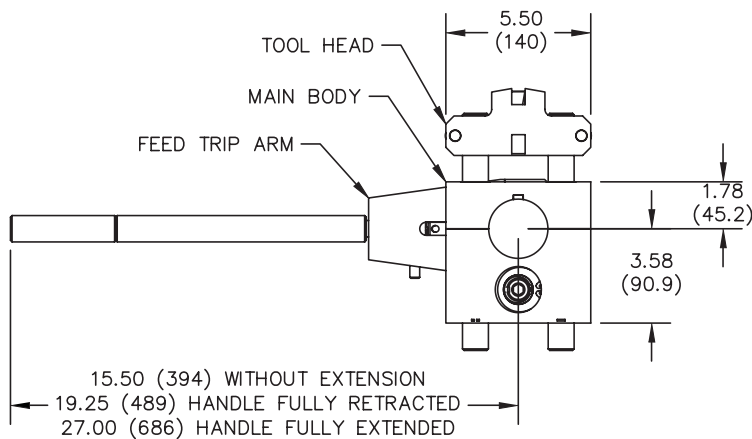
BB5000 facing head, two single arm bearing mounts, mechanical axial feed, rotational drive unit, and 120V electric drive motor with variable speed controller in Climax's assembly shop repairing a large weldment. The face needed to be cut flat, the bore opened up, and a new counter bore added for clearance of a part being assembled through the weldment. Notice that the single arm bearing mounts are mounted at a 10-degree angle off of square from the bar. The Climax-patented spherical bearing mounts ensure proper alignment and extremely fast setup time, and prevent the drive, bearings and bar from binding up in an off-square setup.



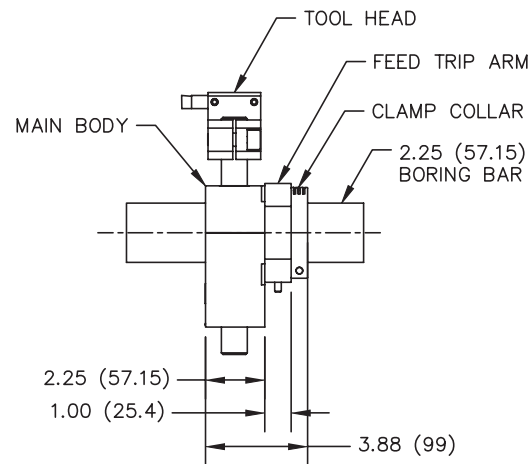
**CLIMAX**<sup>®</sup>  
Portable Machine Tools, Inc.

## Dimensions in inch (mm)

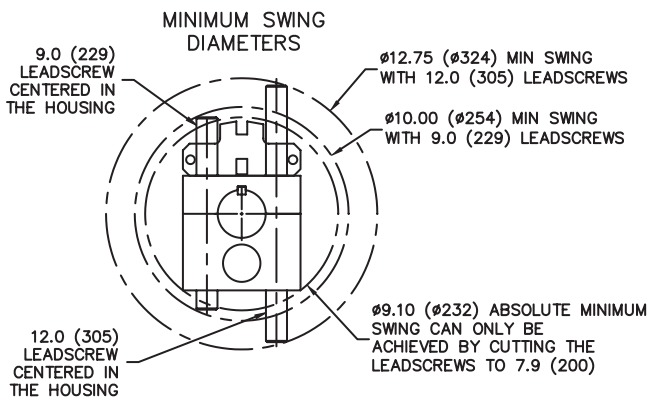
**BB5000 Adjustable Facing Head Dimensions  
(Front View)**



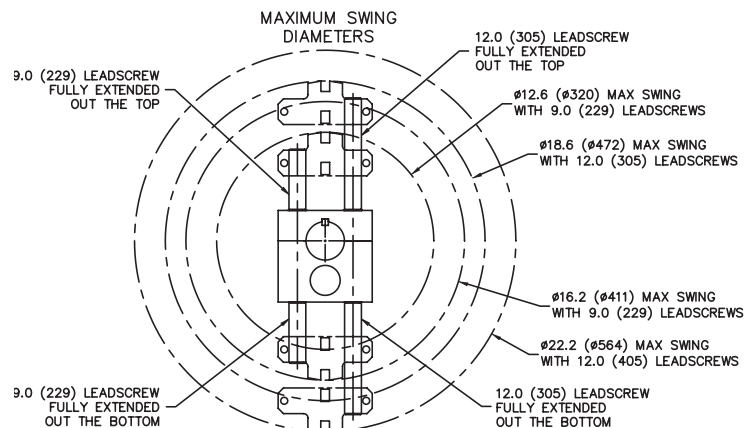
**BB5000 Adjustable Facing Head Dimensions  
(Side View)**



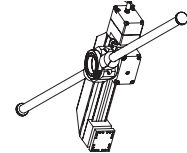
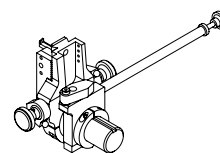
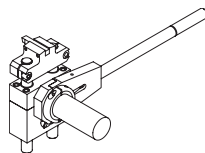
**Minimum Swing Diameters**



**Maximum Swing Diameters**



## Ordering Information



Climax PN	31412	30051	30044	36936	36954	45040
Item Name	Adjustable Range Facing Heads			Facing & Grooving Heads		Heavy Duty Facing Head
Bar Dia.	1.25 inch (31.8 mm)	2.0 inch (50.8 mm)	2.25 inch (57.2 mm)	2.25 inch (57.2 mm)	2.25 inch (57.2 mm)	2.25 inch (57.2 mm)
Swing Dia.	6.6 - 9.4 inches (167.6 - 238.8 mm)	9.1 - 22.2 inches (231.1 - 563.9 mm)	10.0 - 18.6 inches (254 - 472.4 mm)	13.5 inches (342.9 mm)	20.3 inches (515.6 mm)	20.1 - 25.3 inches (510.5 - 642.6 mm)
Facing Dia.	2.1 - 8.8" (53.3 - 223.5 mm)	2.5 - 18" (63.5 - 457.2 mm)	2.5 - 18 inches (63.5 - 457.2 mm)	2.5 - 12 inches (63.5 - 304.8 mm)	2.5 - 19.0 inches (63.5 - 482.6 mm)	2.25 - 24.0 inches (57.2 - 609.6 mm)
Grooving Dia.	n/a	n/a	n/a	4.0 - 12.0 inches (101.6 - 304.8 mm)	4.0 - 19.0 inches (101.6 - 482.6 mm)	3.3 - 24.0 inches (83.8 - 609.6 mm)

BB5FA-5M0206

### Corporate Headquarters

Climax Portable Machine Tools, Inc.  
2712 E. Second Street  
Newberg, Oregon 97132 USA  
Worldwide Telephone: 503.538.2185  
N. America Toll-Free: 800.333.8311  
Fax: 503.538.7600  
Email: info@cpmt.com

### European Headquarters

Climax GmbH  
Willi - Bleicher - Strasse 11  
52353 Düren, Germany  
Telephone: (+49) (0) 2421.9177.0  
Fax: (+49) (0) 2421.9177.29  
Email: info.de@cpmt.com

### Houston Sales Office

Climax Portable Machine Tools, Inc.  
16823 Highway 35  
Pearland, TX 77581 USA  
Telephone: 281.469.0429



**CLIMAX®**  
Portable Machine Tools, Inc.  
[www.cpmt.com](http://www.cpmt.com)